

## Phottix Kali600 VLED Instruction Manual

### Features

The Phottix Kali600 VLED Video LED is a compact and powerful light source for still and video photography. It uses the latest in flicker-free LED technology, making it more efficient and durable.



### The Kali600 features:

- 4320 Lumens of power
- Long-life, Low-Heat LEDs
- Durable one-piece aviation-spec Aluminum shell
- Battery / AC Power Modes
- Adjustable brightness and color temperature
- Wireless remote control

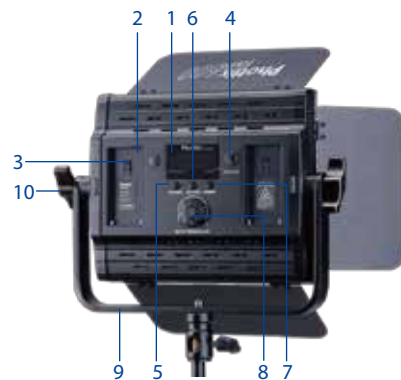
### Please note:

- Do not shine the VLED directly at people's eyes at short distances. This can cause short-term vision issues. Use at distances of at least 1m from subject – or use a reflector/diffuser to soften the light.
- Do not place the VLED close to alcohol or flammable objects.
- Do not place liquids on or near the VLED. The product is not water, splash or dust resistant.
- Use a soft cloth and neutral cleaner to clean the VLED light.
- Do not use strong cleaning agents or solvents such as thinner gasoline or alcohol to clean the VLED light.
- Do not store the VLED at temperatures of +40C as high temperatures may damage the product components.
- Do not use the VLED in outdoors in direct sunlight for an extended period of time to prevent the product from overheating and possible damage.

### Parts

#### Back Side:

1. LED Display
2. Battery Ports
3. Battery Port / Accessory Locking Switches
4. AC Power Port
5. Channel Adjustment Button
6. Battery Status Button
7. Power Button
8. Adjustment Dial / Mode Button
9. Mounting Bracket
10. Locking Nuts



#### Front Side:

11. Accessory Mounting Buttons
12. Mounting Rails
13. LEDs



#### Wireless Remote

1. Brightness Adjustment Mode Indicator (Red)
2. Color Temperature Adjustment Mode Indicator (Yellow)
3. LED Display
4. Power Button
5. + / - Adjustment Buttons
6. Mode Button



#### Mounting and Adjusting the Kali

1. Use the Mounting Bracket to mount the Kali600 to a Light Stand or other mount. Ensure the Mounting Bracket Locking Nut is securely fastened.
2. Loosen and tighten the Locking Nuts on the Mounting Bracket to adjust the Kali600 angle.

#### Mounting Batteries

1. Align the battery with the Battery Port
2. Push the battery down until locked into position.
3. Press the Battery Status Button to check the approximate power remaining in battery cells.

#### Please Note:

The Kali600 will only operate with 2 batteries being used.

#### Removing Batteries

1. Push the battery cell upwards and remove it from the Kali600's battery chamber.

#### Using AC Power

1. Connect the AC Adapter to the AC Power Port on the Kali600
2. Plug the other end of the AC Adapter into mains power.

#### Turning Power On / Off

1. Press and hold the Power Button to turn the Kali600 on
2. Press and hold the Power Button to turn the Kali600 off.

#### The LED Display

On the Kali600 LED Display

- Power is displayed by the left two digits – from 10-99.
- Color Temperature is displayed by the right two digits – from 32-56. These are abbreviations for 3200-5600K.
- The blue indicator light on the bottom of the display shows the Kali600's adjustment mode – for Brightness Adjustments, Color for Color Adjustments.

#### Adjusting Brightness and Temperature

1. Press the Adjustment Dial / Mode Button to toggle between Brightness Adjustment and Color Temperature Adjustment Modes.
2. The blue indicator light on the bottom of the display shows the Kali600's adjustment mode – Dimmer for Brightness Adjustments, Color for Color Adjustments.
3. Use the Adjustment Dial to set the desired brightness level or color temperature.

#### Using the Diffuser Panel

The Kali600 comes with a white diffuser panel.

#### To Add :

1. Push and hold the one of the Battery Port / Accessory Locking Switches to the Left or Right while depressing the Accessory Mounting Button.
2. Align the Diffuser Panel to the bottom mounting rails and slide into position.
3. Push and hold the one of the Battery Port / Accessory Locking Switches to the Left or Right while depressing the Accessory Mounting Button (from the back of the Kali600) to lock into position.

#### To remove:

1. Push and hold the one of the Battery Port / Accessory Locking Switches to the Left or Right while depressing the Accessory Mounting Button
2. Slide the Diffuser Panel off the front of the Kali600. Make sure the Locking Nuts and Mounting Bracket are aligned to allow the Panel to be removed.
3. Push and hold the one of the Battery Port / Accessory Locking Switches to the Left or Right while depressing the Accessory Mounting Button (from the back of the Kali600) to lock into position.

#### Using the Barndoors

The Barndoors included with the Kali600 are very useful in control and shaping light.

#### To Add / Remove:

#### To Add :

1. Push and hold the one of the Battery Port / Accessory Locking Switches to the Left or Right while depressing the Accessory Mounting Button.
2. Align the Diffuser Panel to the top mounting rails and slide into position.
3. Push and hold the one of the Battery Port / Accessory Locking Switches to the Left or Right while depressing the Accessory Mounting Button (from the back of the Kali600) to lock into position.

#### To remove:

1. Push and hold the one of the Battery Port / Accessory Locking Switches to the Left or Right while depressing the Accessory Mounting Button
2. Slide the Barndoors off the front of the Kali600. Make sure the Locking Nuts and Mounting Bracket are aligned to allow the Panel to be removed.
3. Push and hold the one of the Battery Port / Accessory Locking Switches to the Left or Right while depressing the Accessory Mounting Button (from the back of the Kali600) to lock into position.

#### To Use:

Using gentle force, position the barndoors into the desired position(s).

#### Using the Remote Control

The Phottix Kali600 comes with wireless remote control. Using this remote, the brightness of the Kali600 can be controlled from up to 50m away.

#### Setting the Wireless Channel on the Kali600

1. Press the Channel Button under the Kali600 LED Display.
2. Use the Adjustment Dial / Mode Button to set the Channel from 1-99

#### Using the Remote

Setting the Wireless Channel on the Remote

1. Press the Power Button to Activate the Remote Control
2. By Default it will open in Channel Mode
3. Set the Channel from 1-99 using the + / - buttons

#### Please note:

The Channel on the Remote and Kali600 needs to be the same for the remote to control the Kali600.

#### Using the Power Button

The Kali600 Remote Control will power off automatically after not being used. If powered off:

- One press of the Power Button will "wake up" the remote and display the last used mode.
- A second press of the Power Button will Power On or Power Off the Kali600 unit.

#### Changing Remote Modes

The Remote has three modes:

- Channel Adjustment Mode (Default)
  - Brightness Adjustment Mode – Indicated by the Red Light above the LED
  - Color Temperature Adjustment Mode - Indicated by the Yellow Light above the LED
1. Press the Mode button to toggle between the three modes.
  2. The Remote LED will display a two digit number – for Channel, Brightness Level or Color Temperature.
  3. Use the + / - buttons to make desired adjustment.

#### Tech Specs

Model: Kali600  
 Output Power: 36W  
 Luminous Flux: 4320LM  
 LED Quantity: 600  
 Color Temperature: 3200K-5600K Continuous adjustment  
 Light Source: 45° LED  
 Color Rendering Index (CRI): ≥95  
 Brightness Adjustment: 10%-100%  
 Estimated Life: 50000 hours  
 Remote Control: 99 channels 2.4G wireless remote control  
 Remote Control Range: 50m  
 Lithium Battery Type: NP-F750/NP-F960 (2 batteries required for operation)  
 AC Power Input DC13-19V  
 Adapter DC15V 2.4A  
 Size (Excluding Mount): 242x191x42mm  
 Weight: 1340g (without batteries / barndoors)

## Phottix Kali600 VLED

### 說明書

#### 功能

Phottix Kali600 VLED Video LED可以成為輕巧並實用的光源，以供攝影或攝錄使用。其主要功能包括：



- 4320 LM 光通量
- 耐用鋁材外殼
- 可用電池或交流電源轉接器供電
- 亮度及色溫調節
- 無線遙控

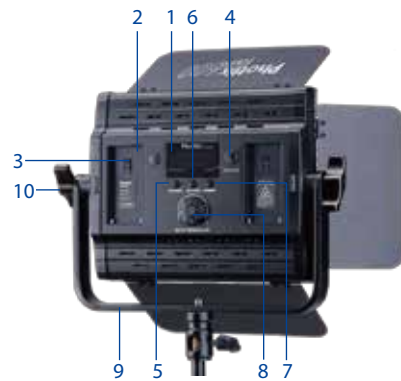
#### 注意事項:

- 不要用LED近距離向人眼照射，否則可能會短暫影響視力，建議在1米外使用，或考慮使用柔光罩
- 不要將本產品放置於酒精或易燃物品附近
- 本產品並不防水或防塵，不要將本產品放置於液體附近
- 如把本產品連接於相機上使用，不要用本產品作支撐點提起相機
- 請用軟布及中性清潔劑清潔本產品
- 請將本產品在40度以下存放及使用，特別在長時間在戶外被陽光照射下使用時需要特別注意

#### 部件

##### 背面:

1. LED 顯示屏
2. 電池倉
3. 電池固定鎖
4. 電源插孔
5. 頻道調整鍵
6. 電池狀態鍵
7. 電源開關
8. 調整轉輪及功能鍵
9. 支架
10. 支架固定旋鈕



##### 正面:

11. 配件鎖按鍵
12. 配件安裝槽
13. LED燈珠



##### 無線遙控

1. 亮度調整模式指示燈(紅色)
2. 色溫調整模式指示燈(黃色)
3. LED顯示
4. 電源開關
5. + / - 調整鍵
6. 模式鍵



#### 將本產品安裝在燈架上使用

用本產品的支架可將本產品固定在燈架上，請確保固定旋鈕鎖緊於燈架上避免掉落

#### 安裝電池

1. 將電池跟電池倉對位
2. 將電池推進電池倉並往下推
3. 可用電池狀態鍵以檢視電量(註:需安裝兩顆電池才可以用此功能)

##### 註:

本產品需安裝兩顆電池才可以使用

#### 移除電池

將電池向上推以移除電池。

#### 使用外接電源

1. 將外置電源轉接器插入電源插孔
2. 將電源轉接器另一端連接電源插頭

#### 開關

1. 按住電池開關來開啟電源
2. 按住電池開關來關閉電源

#### LED顯示屏

##### 顯示屏顯示

- 亮度顯示位於LED顯示屏的左面兩個位(10-99)
- 色溫顯示位於LED顯示屏的左面兩個位(32-56). 代表3200-5600K
- LED顯示下面的藍色顯示燈代表現時調整模式-Dimmer代表亮度調整模式, Color代表色溫調整模式

#### 調整亮度及色溫

- 1.用調整轉輪及功能鍵選擇亮度或色溫調整模式
- 2.LED顯示下面的藍色顯示燈代表現時調整模式-Brightness代表亮度調整模式, Color代表色溫調整模式
- 3.用調整轉輪調整亮度或色溫數值

#### 使用柔光片

本產品附有柔光片

##### 安裝:

- 1.按著正面左邊或右邊的配件鎖，同時將相應背面的配件鎖按鍵向左或向右推，使正面的配件鎖向下移動至解鎖狀態
- 2.將柔光罩沿底部配件安裝槽插入並移動至另一邊的配件鎖
- 3.將位於解鎖狀態的配件鎖背面的配件鎖按鍵向左或向右推，同時將相應的配件鎖向上拉來鎖定

##### 移除:

- 1.按著正面左邊或右邊的配件鎖，同時將相應背面的配件鎖按鍵向左或向右推，使正面的配件鎖向下移動至解鎖狀態
- 2.將柔光罩沿配件安裝槽移除
- 3.將位於解鎖狀態的配件鎖背面的配件鎖按鍵向左或向右推，同時將相應的配件鎖向上拉來鎖定

#### 使用擋光板

本產品附有擋光板作控光之用

##### 安裝:

- 1.按著正面左邊或右邊的配件鎖，同時將相應背面的配件鎖按鍵向左或向右推，使正面的配件鎖向下移動至解鎖狀態
- 2.將擋光板沿頂部配件安裝槽插入並移動至另一邊的配件鎖
- 3.將位於解鎖狀態的配件鎖背面的配件鎖按鍵向左或向右推，同時將相應的配件鎖向上拉來鎖定

##### 移除:

- 4.按著正面左邊或右邊的配件鎖，同時將相應背面的配件鎖按鍵向左或向右推，使正面的配件鎖向下移動至解鎖狀態
- 5.將擋光板沿配件安裝槽移除
- 6.將位於解鎖狀態的配件鎖背面的配件鎖按鍵向左或向右推，同時將相應的配件鎖向上拉來鎖定

##### 使用:

用適中的力度調整擋光板至合適角度

#### 使用遙控器調整亮度

本產品附有遙控器，可在50米以外調整LED的亮度

##### 在LED設定遙控頻道

- 1.按位於LED顯示下的頻道調整鍵
- 2.用調整轉輪選擇頻道(01-99)

#### 使用遙控器調整LED亮度

##### 在遙控器上設定頻道

- 1.按遙控器上的電源鍵開啟遙控器
- 2.預設值是頻道調整
- 3.用 + / - 設定頻道

##### 註:

遙控器的跟LED的頻道必須一樣才可用遙控器調整亮度。

#### 使用遙控器電源鍵

當遙控器閒置一段時間後，遙控器將會自動關機在關機狀態下:

- 按電源鍵一下可以喚醒並回到上次使用的模式
- 按第二下電源鍵可以開關LED.

#### 選擇遙控模式

##### 遙控器有三種模式:

- 頻道設定模式(預設)
- 亮度設定模式 - LED上顯示紅燈
- 色溫設定模式- LED上顯示黃燈

##### 1.按模式設定鍵選擇模式

- 2.遙控器顯示屏會顯示一個雙位數(頻道, 亮度或色溫).
- 3.使用+ / - 鍵更改設定

#### 技術規格

**型號:** Kali600

**輸出:** 36W

**光通量:** 4320LM

**LED燈珠數目:** 600

**色溫調節範圍:** 3200K-5600K

**光源:** 45° LED

**顯色指數 (CRI):** ≥95

**亮度調整:** 10%-100%

**預期壽命:** 50000 hours

**遙控器:** 99頻道 2.4G 無線遙控

**遙控距離:** 50m

**鋰電池種類:** NP-F750/NP-F960 (需使用兩顆電池)

**電源輸入:** DC13-19V

**適配器:** DC15V 2.4A

**尺寸(不計算支架):** 242x191x42mm

**淨重:** 1340g (不含電池和擋光板)

www.phottix.com